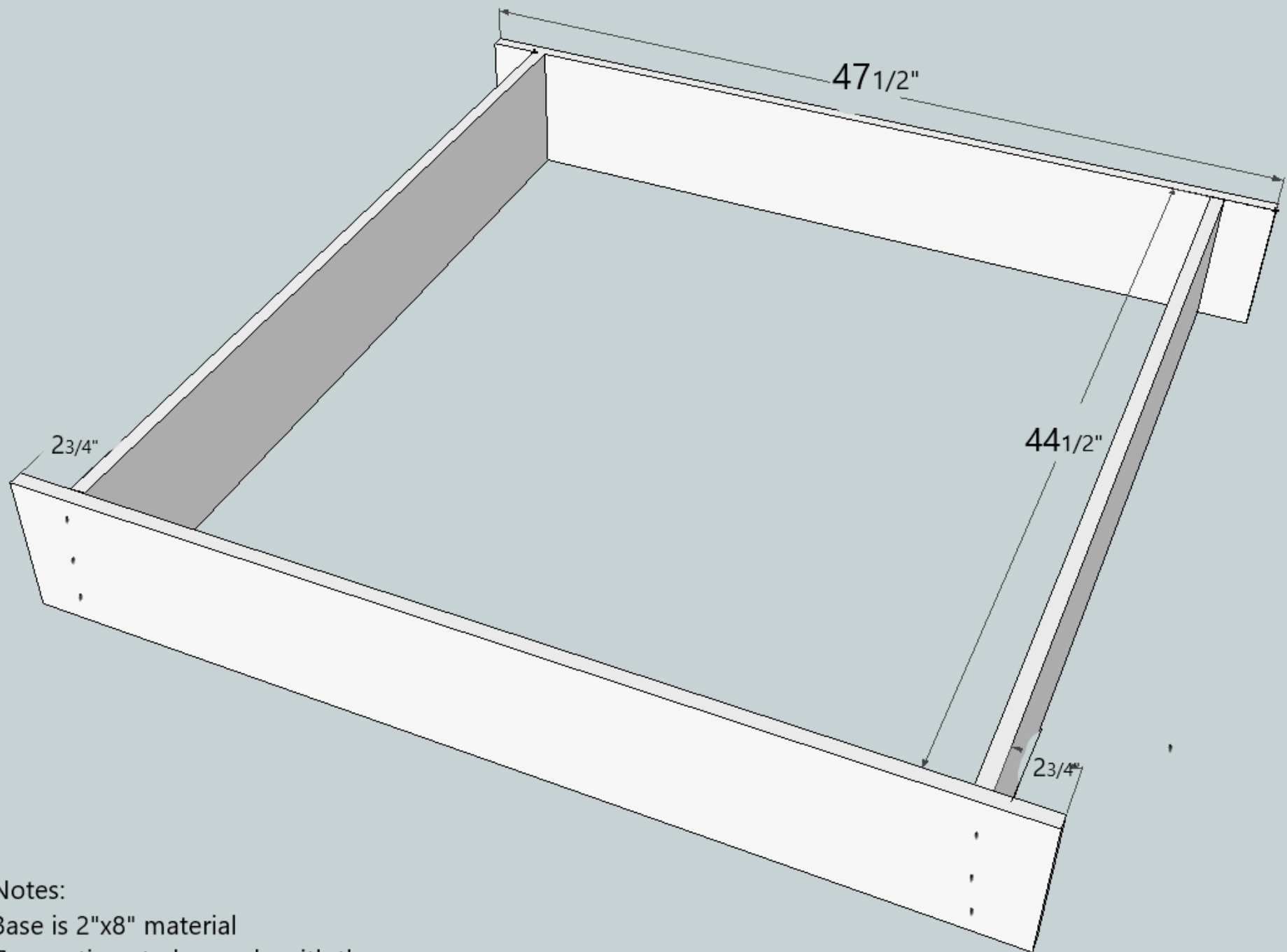


Bench Lid Sandboxes



Materials:

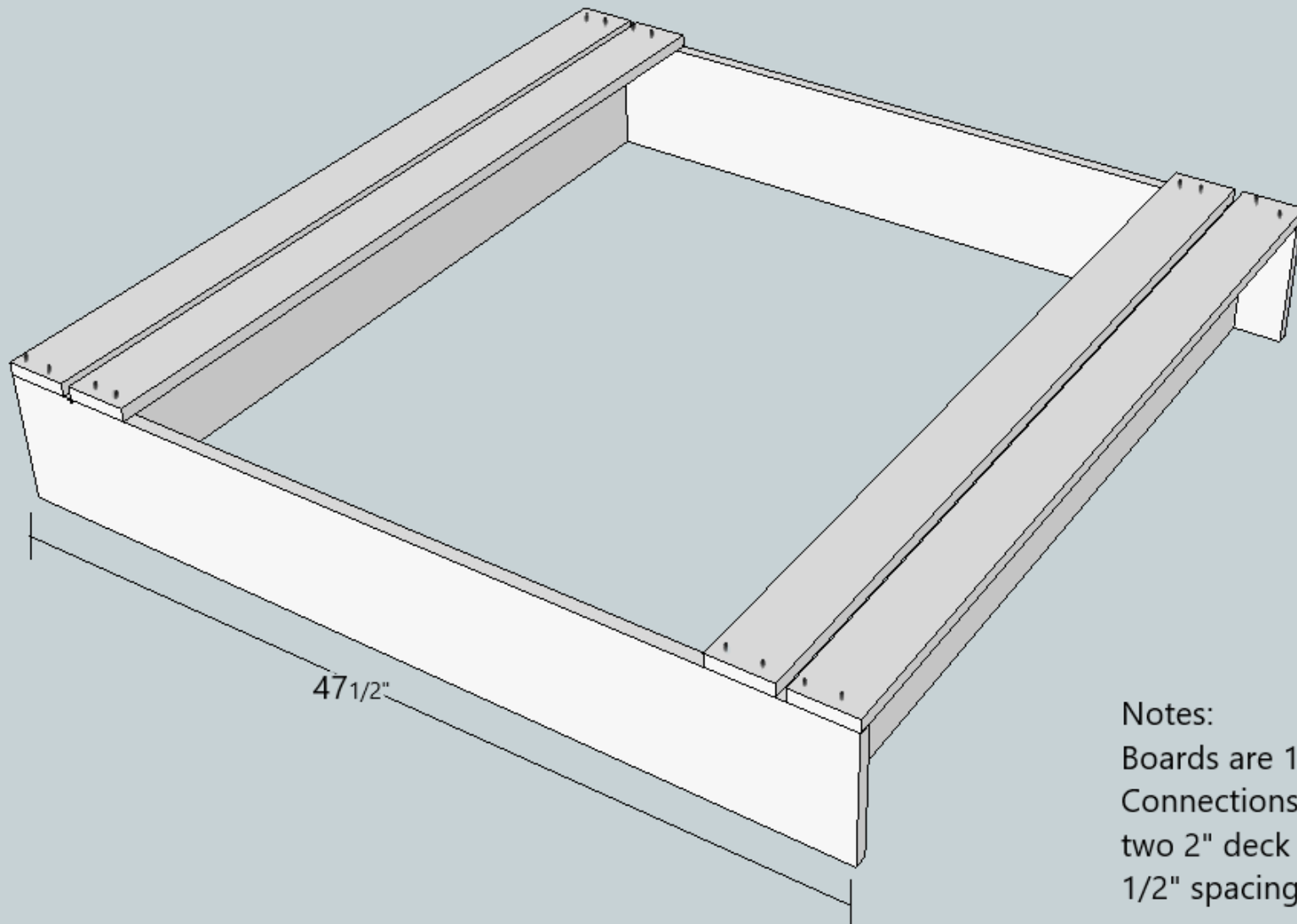
- (2) 8' 2"x8"
- (6)8' 1"x4"
- (1)8' 2"x4"
- 4 sets or 8 total galvanized hinges
- 2" and 3" Epoxy deck screws



Notes:

Base is 2"x8" material

Connections to be made with three
3" deck screws

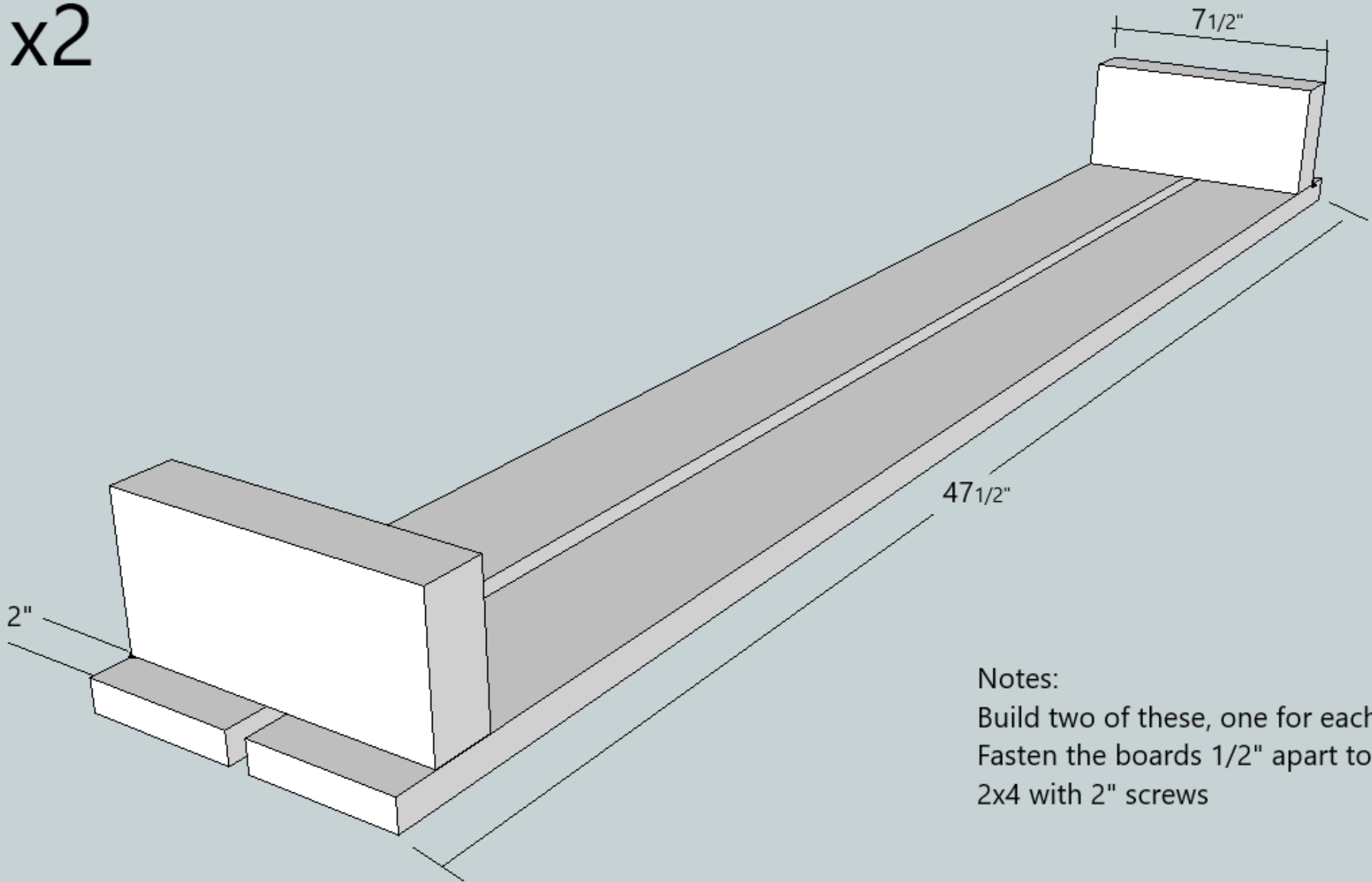


47 1/2"

Notes:

- Boards are 1"x4" material
- Connections to be made with two 2" deck screws
- 1/2" spacing between boards

x2

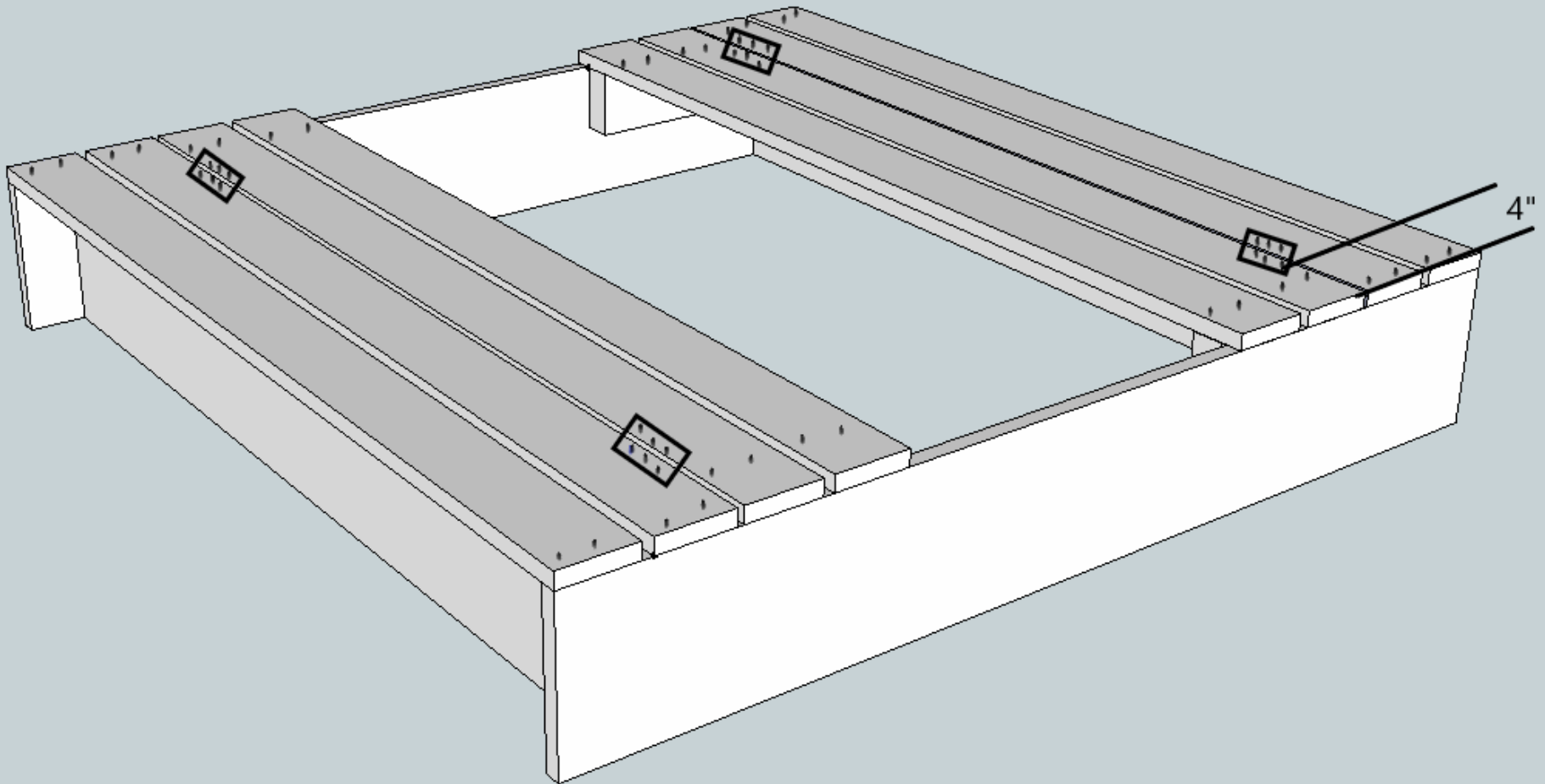


Notes:

Build two of these, one for each side
Fasten the boards 1/2" apart to the
2x4 with 2" screws

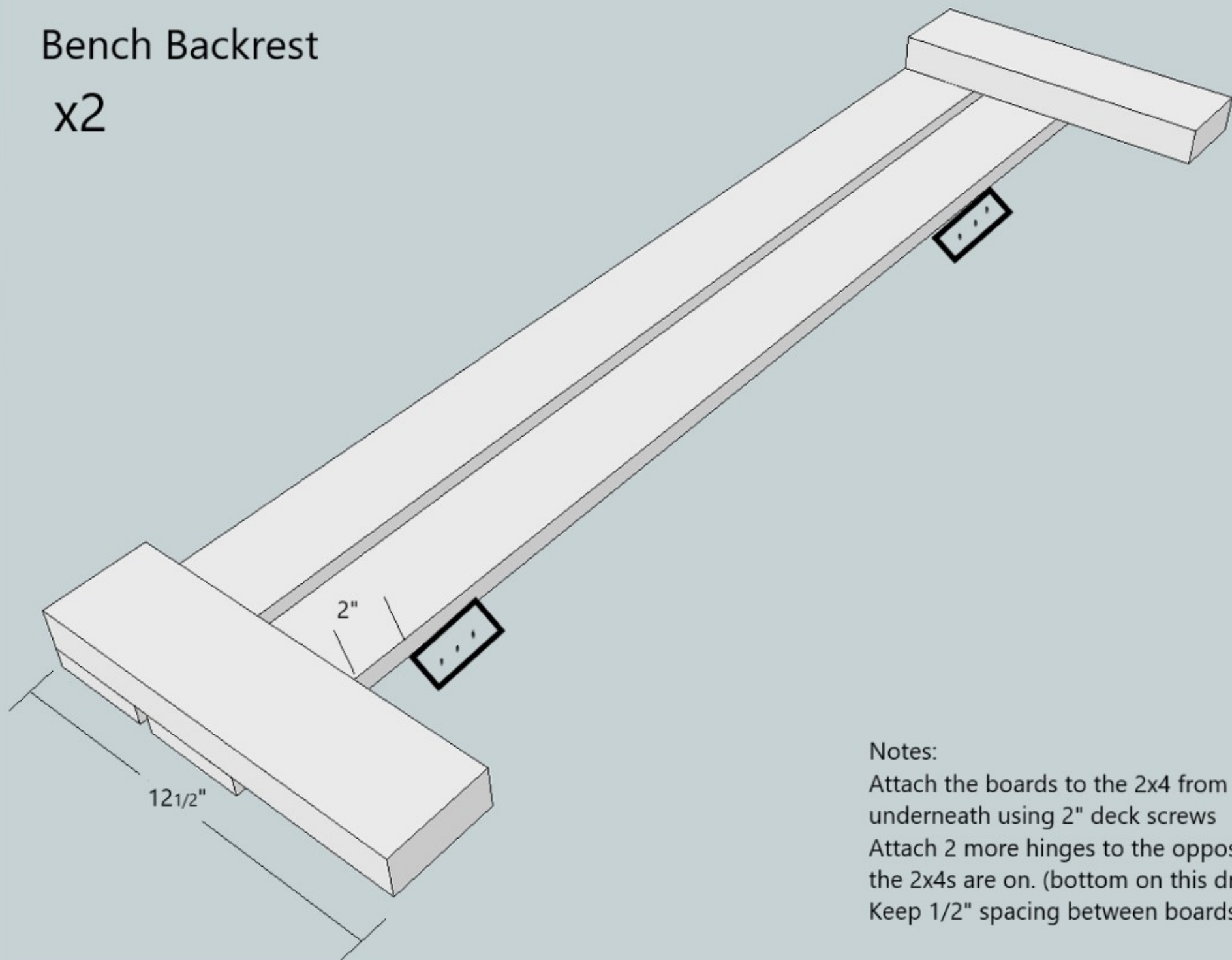
Notes:

Lay each bench seat down with 1/2" gap between boards.
Attach 4 hinges between the secured deck board and the
bench seats. Inset the the hinges at least 4" from edge
using 5/8" silver screws



Bench Backrest

x2



Notes:

- Attach the boards to the 2x4 from underneath using 2" deck screws
- Attach 2 more hinges to the opposite side the 2x4s are on. (bottom on this drawing)
- Keep 1/2" spacing between boards

